

Hardware: Hardware refers to the mechanical device that makes up a comp. Hardware consists of interconnected electronic devices that we can use to control computer's operation, input and output.  
Ex: CPU, keyboard, mouse, hard disk etc.

Software: A set of instructions that defines computer to do stipulated tasks is called a program. Software instructions are programmed in comp language translated into machine language, and executed by computer.

Two types:

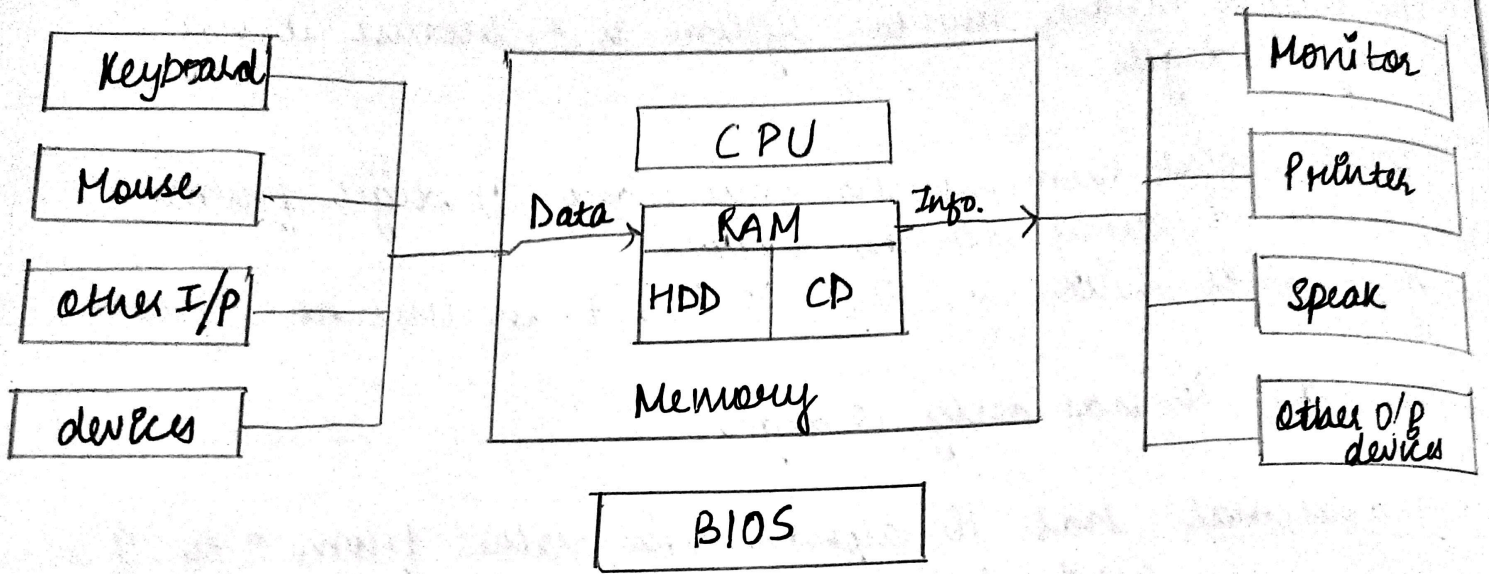
1) System Software operates directly on hardware devices of a computer. It provides a platform to run an application. Provides and supports user functionality.  
Ex: Operating systems like windows, linux, unix etc.

2) Application Software which is designed for benefit of users to perform one or more tasks. Ex: MS office, oracle etc.

Commonly used hardware → Motherboard  
→ Monitor  
→ Keyboard  
→ Mouse



## Hardware Components :



3) Programming software: It is a collection of tools that helps the developers in writing other software or programs. It assists them in creating, debugging, and maintaining software or programs or application. They translate the prog lang such as Java, C++, Python into machine lang code.

u: Eclipse → java lang editor

Coda → prog lang editor for Mac

Notepad++ → open source editor for windows

Sublime text → cross-platform code editor for Linux, Mac and windows



## Diff b/w Hardware & Software

### Software

collection of programs to bring comp. hardware sys into operation.

Includes numbers, alphabets, alphanumeric symbols, keywords, identifiers etc.

It will vary as per comp and its inbuilt func<sup>n</sup> and prog language

It is designed in high level language

It is represented in any high level lang like C, C++, JAVA etc

It is categorised as operating system, utilities, lang processors, etc

### Hardware

Includes physical components of computer sys.

consists electronic components like ICs, diodes, boards, insulators etc.

It is mostly constructed for all types of computer systems.

It can understand only low level or machine language

Hardware works only on binary codes 1's and 0's

consists of Input devices, output devices, memory etc.